

Framed formwork VARIMAX

Tried and tested system designed to withstand high hydrostatic pressure of fresh concrete.

The framed formwork Varimax by Salesbridges is a complete system, including accessories, designed for heavy-duty use. The Varimax system ensures fast, safe and cost-efficient concreting process and provides you with an opportunity to make any concrete surface possible.

Heavy-duty formwork

- 60 kN/m² pressure of fresh concrete acting on whole area using tie-rod system 15.0
- 80 kN/m² pressure of fresh concrete acting on whole area using tie-rod system 20.0
- High quality film faced plywood with thickness of 21mm. Film weight 240g/m²

Easy to use

- Having only 5 standard panel widths provides much easier planning and forming.
- All the connectors and accessories are easily fixed into the slots and quickly tighten, consequently forming time is efficient and maximized.

Cost-effective

- Installation of pre-assembled units minimizes use of a crane.
- High number of use cycles means lower follow-up expenses.
- Reduction of expenses by means of restoration and cleaning possibilities.
- Galvanized or powder-coated steel frames, for long service life.
- High quality of concrete surface minimizes finishing work.

Safe use

- Accessories such as — lifting hooks, wall brackets, supporting struts etc. make for safe and easier handling of the system.

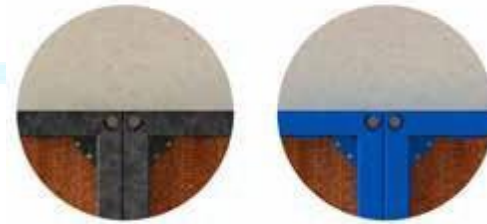


VARIMAX panels

The heights and widths of the Varimax panels result in a logical and advantageous increment-grid. Small amount of different panels' sizes makes planning easier and forming faster.

- 5 widths of panel
- 5 heights of panel
- 4 extra-large panels

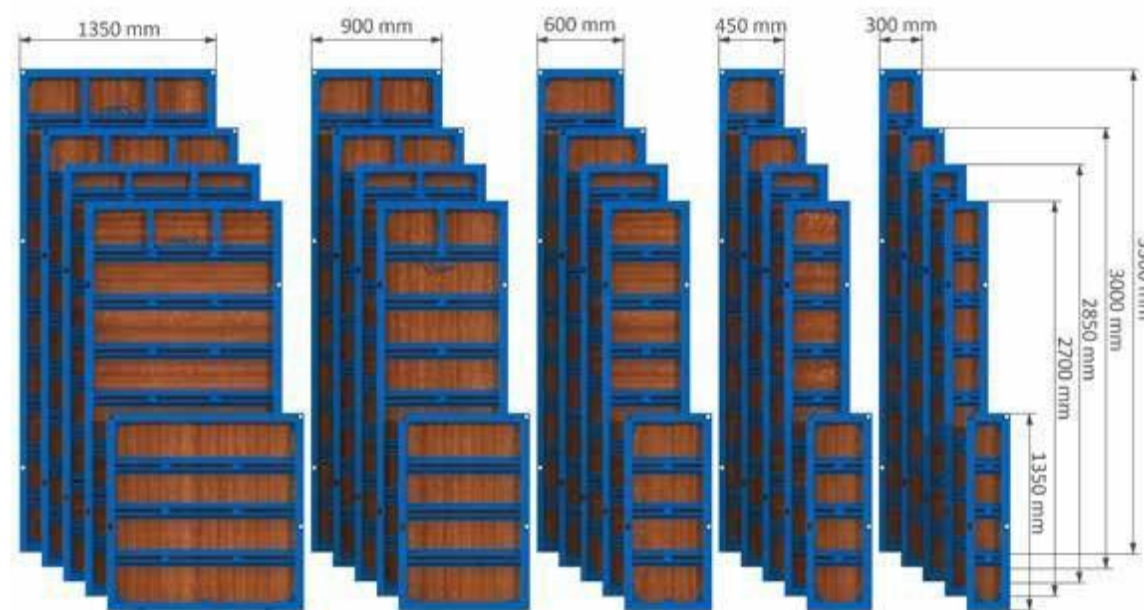
For any type and size of the panel two options of covering are available.



Galvanized

Powder-coated

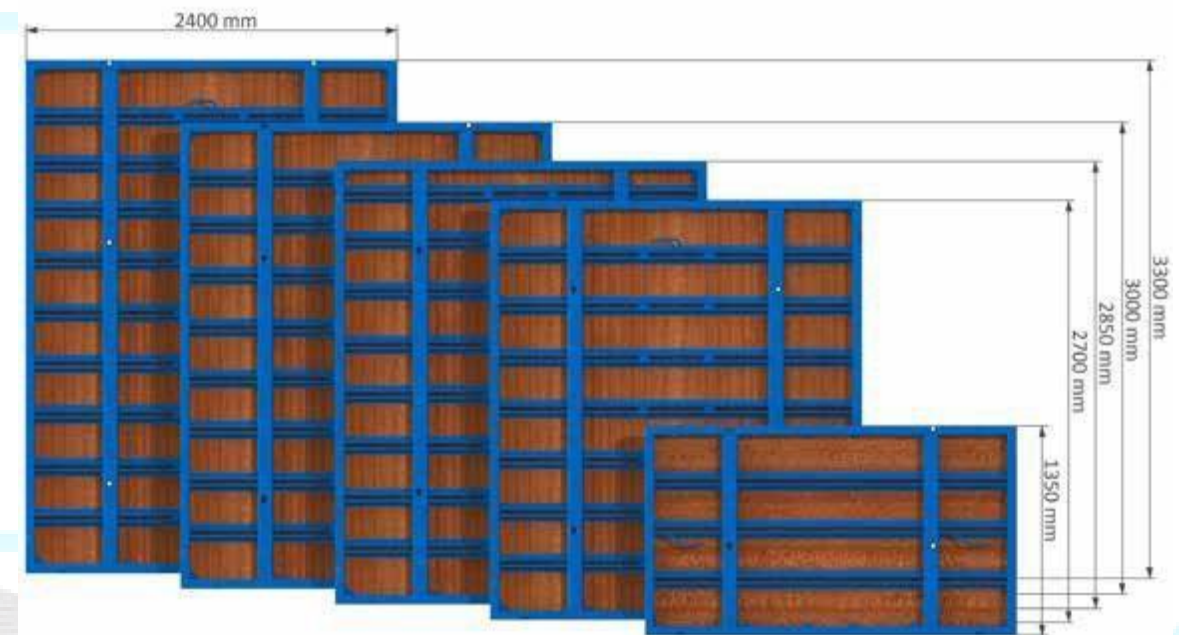
STANDARD PANELS HEIGHTS



VARIMAX panels

EXTRA-LARGE PANELS

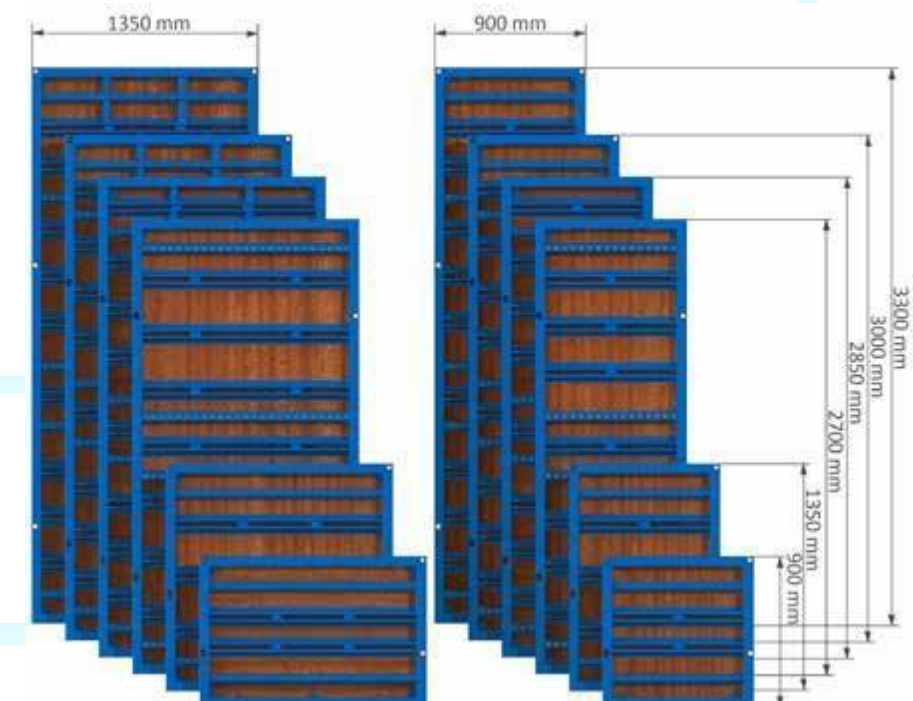
- Intended to be used for large area wall forming.
- Fewer connectors and accessories are needed.
- Can be installed vertically or horizontally.



VERSATILE PANELS

The special hole pattern makes these panels particularly suitable for efficient forming of:

- Corners
- Wall junctions
- Stop-ends
- Columns

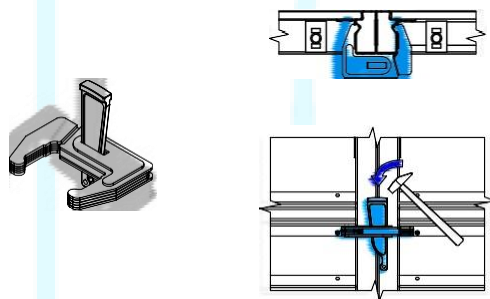


VARIMAX panel connection

JOINING

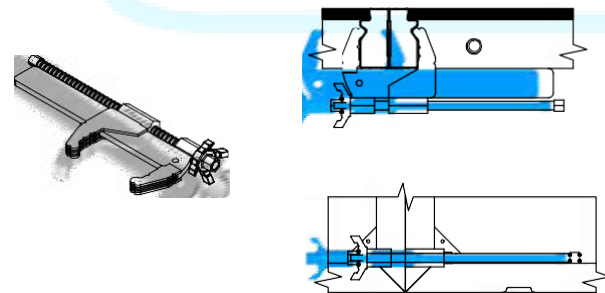
Thanks to a continuous slot placed all along the panel's profile, a clamp device can be installed

in any desired point, simply with a blow of the hammer. This makes assembly super-fast and no special tools required.



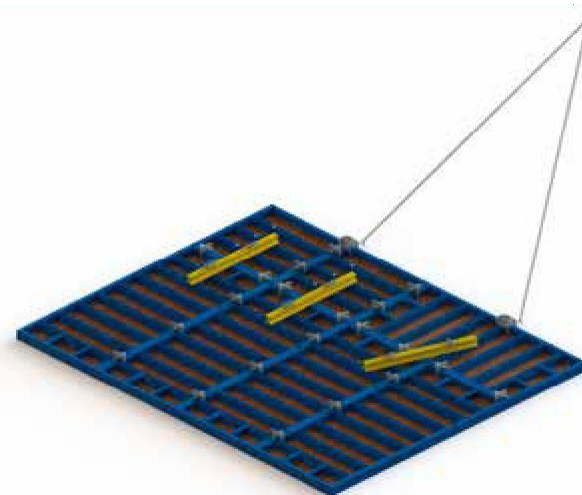
CLOSURES

Closures are intended to be used for places where formwork cannot be stroke easily. Filled with construction timber, tighten with use of an adjustable clamp device.



VERTICAL STAKING

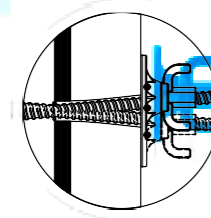
With use of the guide plates or steal walings fixed with contact devices, the panels can be easily assembled in large and rigid gang-form to be put up and set down by crane.



TYING

The large, conical form-tie sleeves in the panels enable them to be stood at an angle on one

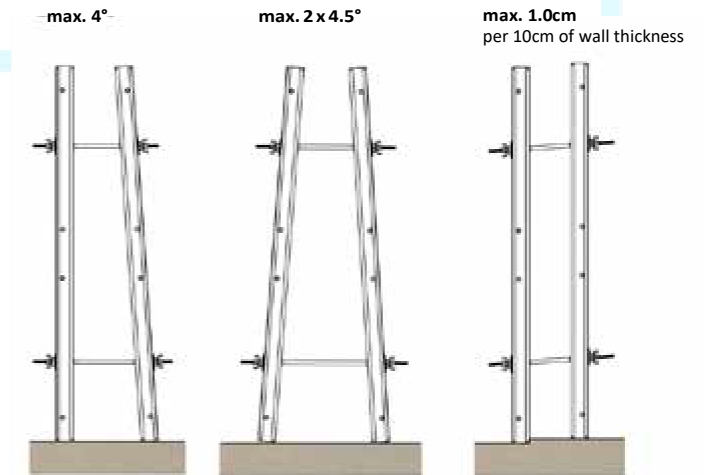
or both sides, and to be height-mismatched.



VARIMAX panel connection

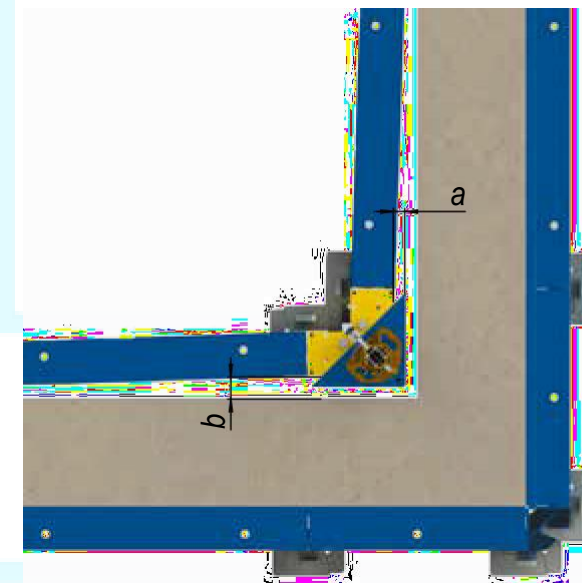
Conical on 1 side Conical on both sides Conical on 1 side

Form-tie system 15.0:
max. 1.9cm
per 10cm of wall thickness
Form-tie system 20.0:
max. 1.0cm
per 10cm of wall thickness



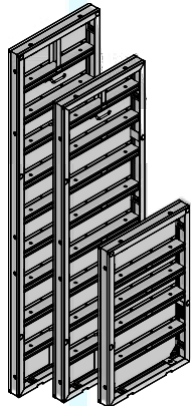
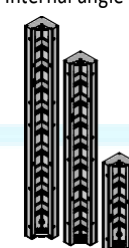
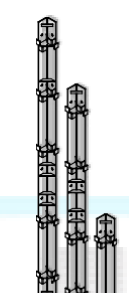
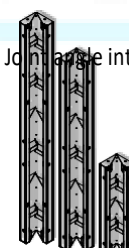
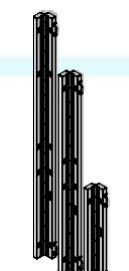
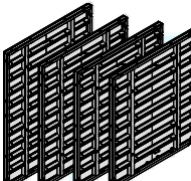
STRIPPING CORNER

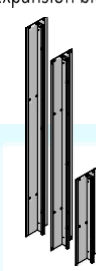
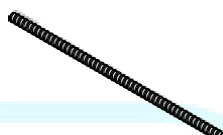
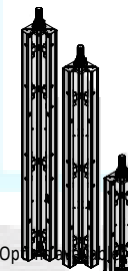


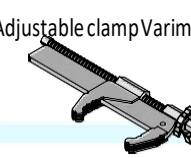
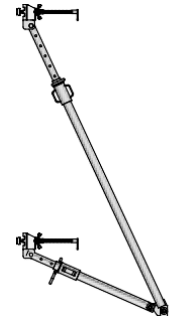
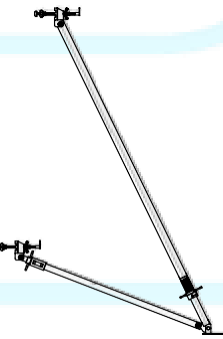
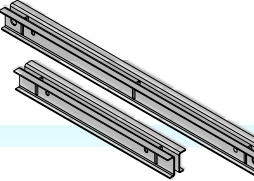
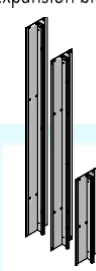
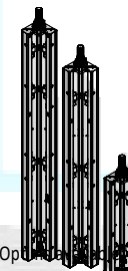
The Varimax stripping corner was specifically designed for use with shaft formwork. It enables the formwork to be closed and opened in accordance with accident protection regulations, i.e. without using the crane, simply by operating easy-to-turn spindles with a reinforcement rod or the convenient ratchet. It is then lifted and reset in one piece, thus saving crane-time. The Varimax stripping corner is also suitable for use on pilasters and as an inside corner on wall formwork.



VARIMAX

VARIMAX

| Item | [kg] | Article no | Item | [kg] | Article no | | | |
|---|--------------|------------|---------------------------|------------------------------|------------|--|--|---|
|  <p>Standard panel Varimax</p> | 1350x3300 mm | 250,00 | 11104 000 | Internal angle Varimax | 3300 mm | 116,00 | 11710000 | |
| | 900x3300mm | 160,00 | 11108 000 | 3000 mm | 104,74 | 11720000 |  <p>Options available: xx xxx 000 - Powder coated; xxxxx200 - Hot Dip Galvanized; Custom size on inquiry;</p> | |
| | 600x3300 mm | 117,00 | 11 110000 | 2850 mm | 94,9 | 11730000 | | |
| | 450x3300 mm | 95,00 | 11 112000 | 2700 mm | 91,2 | 11740000 | | |
| | 300x3300 mm | 77,00 | 11 114000 | 1350 mm | 49,43 | 11 750 000 | | |
| | 1350x3000 mm | 225,00 | 11204000 | External angle Varimax | 3300 mm | 57,80 | | 11714000 |
| | 900x3000 mm | 157,00 | 11208000 | 3000 mm | 52,00 | 11 724 000 |  <p>Options available: xxxxx200 - Hot Dip Galvanized; Custom size on inquiry;</p> | |
| | 600x3000 mm | 109,00 | 11210000 | 2850 mm | 49,50 | 11 734 000 | | |
| | 450x3000 mm | 93,00 | 11212000 | 2700 mm | 47,00 | 11 742 000 | | |
| | 300x3000 mm | 73,00 | 11214000 | 1350 mm | 23,10 | 11 754 000 | | |
| | 1350x2850 mm | 214,60 | 11304000 | Joint angle internal Varimax | 3300 mm | 134,50 | | 11712 000 |
| | 900x2850 mm | 154,20 | 11308000 | 3000 mm | 122,00 | 11722 000 | |  <p>Options available: xx xxx 000 - Powder coated; xx xxx 200 - Hot Dip Galvanized; Custom size on inquiry;</p> |
| | 600x2850 mm | 105,70 | 11310000 | 2850 mm | 114,70 | 11732 000 | | |
| | 450x2850 mm | 91,22 | 11312000 | 2700 mm | 111,00 | 11744 000 | | |
| | 300x2850mm | 70,72 | 11314000 | 1350 mm | 58,44 | 11752 000 | | |
| | 1350x2700mm | 191,20 | 11 404 000 | Joint angle external Varimax | 3300 mm | 61,60 | | |
| | 900x2700mm | 148,00 | 11 408 000 | 3000mm | 55,00 | 11 726 000 |  <p>Options available: xx xxx 000 - Powder coated; xxxxx 200 - Hot Dip Galvanized; Custom size on inquiry;</p> | |
| | 600x2700mm | 100,70 | 11 410 000 | 2850mm | 51,30 | 11 736 000 | | |
| 450x2700mm | 82,30 | 11 412 000 | 2700mm | 48,00 | 11 746 000 | | | |
| 300x2700mm | 66,00 | 11414 000 | 1350mm | 25,20 | 11 756 000 | | | |
| 1350x1350 mm | 103,23 | 11 504 000 | Extra-large panel Varimax | 2400x3300 mm | 486,00 | 11 100 000 | | |
| 900x1350mm | 83,35 | 11 508 000 | 900x3000 mm | 184,00 | 11206000 |  <p>Options available: xxxxx000 - Powder coated; xxxxx 100 - Galvanized; xxxxx200 - Hot Dip Galvanized; Custom size on inquiry;</p> | | |
| 600x1350 mm | 53,92 | 11 510 000 | 900x2850 mm | 177,00 | 11 306 000 | | | |
| 450x1350 mm | 44,19 | 11 512 000 | 900x2700 mm | 167,00 | 11 406 000 | | | |
| 300x1350 mm | 34,45 | 11 514 000 | 900x2700 mm | 167,00 | 11 406 000 | | | |
| 900x1350mm | 86,06 | 11506000 | 900x1350 mm | 86,06 | 11506000 | | | |

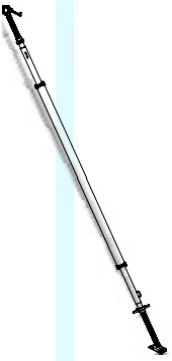
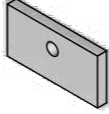





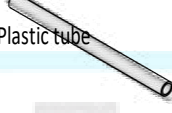






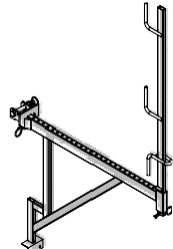
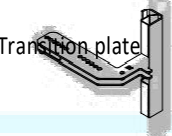



| Item | [kg] | Article no | Item | [kg] | Article no | | |
|--|------------|------------|--|--|---|------------|----------|
|  <p>Expansion block Varimax</p> | 3300 mm | 62,30 | 11810000 |  <p>Tie rod</p> | 15.0mm 0.50m | 0.80 | 92050300 |
| | 3000 mm | 57,00 | 11820000 | | 15.0mm 0.75m | 1.20 | 92075300 |
| | 2850 mm | 53,80 | 11830000 | | 15.0mm 1.00m | 1.60 | 92100300 |
| | 2700 mm | 51,00 | 11840000 | | 15.0mm 1.25m | 2.00 | 92125300 |
| | 1350 mm | 25,50 | 11850000 | | 15.0mm 1.50m | 2.40 | 92150300 |
|  <p>Stripping corner Varimax</p> | 300x3300mm | 200,00 | 11718000 | | 15.0mm 1.75m | 2.80 | 92175300 |
| | 300x3000mm | 180,00 | 11 728 000 | | 15.0mm 2.00m | 3.20 | 92200300 |
| | 300x2850mm | 139,00 | 11 738 000 | | 15.0mm 2.25m | 3.60 | 92225300 |
| | 300x2700mm | 130,00 | 11 748 000 | | 15.0mm 2.50m | 4.00 | 92250300 |
| | 300x1350mm | 93,00 | 11 758 000 | | 15.0mm 2.75m | 4.40 | 92275300 |
|  <p>Stripping spindle Varimax</p> | 300x3300mm | 200,00 | 11718000 | | 15.0mm 3.00m | 4.80 | 92300300 |
| | 300x3000mm | 180,00 | 11 728 000 | | 20.0mm 0.50m | 1.25 | 93050300 |
| | 300x2850mm | 139,00 | 11 738 000 | | 20.0mm 0.75m | 1.88 | 93075300 |
| | 300x2700mm | 130,00 | 11 748 000 | | 20.0mm 1.00m | 2.50 | 93100300 |
| | 300x1350mm | 93,00 | 11 758 000 | | 20.0mm 1.25m | 3.13 | 93125300 |
|  <p>Clamp device Varimax</p> | 300x3300mm | 200,00 | 11718000 | 20.0mm 1.50m | 3.75 | 93150300 | |
| | 300x3000mm | 180,00 | 11 728 000 | 20.0mm 1.75m | 4.38 | 93175300 | |
| | 300x2850mm | 139,00 | 11 738 000 | 20.0mm 2.00m | 5.00 | 93200300 | |
| | 300x2700mm | 130,00 | 11 748 000 | 20.0mm 2.25m | 5.63 | 93225300 | |
| | 300x1350mm | 93,00 | 11 758 000 | 20.0mm 2.50m | 6.25 | 93250300 | |
|  <p>Adjustable clamp Varimax</p> | 300x3300mm | 200,00 | 11718000 | 20.0mm 2.75m | 6.88 | 93275300 | |
| | 300x3000mm | 180,00 | 11 728 000 | 20.0mm 3.00m | 7.50 | 93300300 | |
| | 300x2850mm | 139,00 | 11 738 000 | Contact device | 1,40 | 11 918 100 | |
| | 300x2700mm | 130,00 | 11 748 000 |  <p>Supporting strut 340</p> | 340 mm | 35,60 | 11928100 |
| | 300x1350mm | 93,00 | 11 758 000 | |  <p>Supporting strut</p> | 540 mm | 53,60 |
|  <p>Guide plate</p> | 0.4m | 5.13 | 2317 |  <p>Expansion block Varimax</p> | | 3300 mm | 62,30 |
| | 0.9m | 12.18 | 11912000 | | 3000 mm | 57,00 | 11820000 |
| | 1.5m | 19.95 | 11912000 | | 2850 mm | 53,80 | 11830000 |
| | 2.0m | 23.25 | 2318 | | 2700 mm | 51,00 | 11840000 |
| | 2.5m | 34.65 | 2319 | | 1350 mm | 25,50 | 11850000 |
| 3.0m | 41.27 | 2320 |  <p>Stripping corner Varimax</p> | 300x3300mm | 200,00 | 11718000 | |
| 3.3m | 45.00 | 2321 | | 300x3000mm | 180,00 | 11 728 000 | |
| 3.5m | 47.67 | 2322 | | 300x2850mm | 139,00 | 11 738 000 | |

VARIMAX

VARIMAX

WALLFORMWORKSYSTEM

WALLFORMWORKSYSTEM

| Item | [kg] | Article no | Item | [kg] | Article no |
|---|-------|------------|--|--------------------|--------------|
| Ajustable plumbing strut  | | 2001 | Prassure plate  | 0,80 | 2075 |
| | | | Hexagon nut  | 0,36 | 2074 |
| | | | Star-shapednut  | 0,68 | 2007 |
| Spindle head  | 3,41 | 2002 | Superplate  | 15.0 20.0 | 1.22 2.10 |
| Spindleelementwithoutend-hinge  | 38,00 | 11934000 | Plastic tube  | 2,5 m | 0,45 |
| Extension strut 3.70  | 75,00 | 11936000 | Plastic cone  | | 0,005 |
| Extension strut 2.40  | 52,00 | 11938000 | Stop-end tie Varimax  | 1,60 | 11 906 100 |
| Spindle element with end-hinge  | 46,00 | 11934000 | Connection screw  | 10-16cm 10-25cm | 0,65 0,70 |
| Wall bracket Salesbridges  | 12,00 | 11926100 | Transition plate  | | 17,50 |
| Guide rail clamp  | 12,00 | 1025 | Lifting hook Varimax  | 9,60 | 11 924 000 |
| Corner guide plate  | 15,70 | 11916000 | | | |

